

REGISTRATION NUMBER

DVH 0524

DATE OF REGISTRATION/PUBLICATION

**JUL 13 2012**

Month Day Year

DO NOT WRITE ABOVE THIS LINE. IF YOU NEED MORE SPACE, USE A SEPARATE CONTINUATION SHEET. (Form D-VH/CON)

**1**  
TITLE

Please give the make and model of the vessel that embodies the design.  
SB28

**2**  
DESIGN

(a) What is the type or style of the design for which registration is sought?  
CATAMARAN

(b) Provide a brief general statement setting forth the salient features of the design.  
Overall appearance for a boat as shown, including hull configuration and shape

Check here if this is a single design.

Check here if registering more than one design. Use Form D-VH/CON for additional designs.

(c) If this design is derived from an earlier design, describe how that design has been revised, adapted, or rearranged.

**3**  
DESIGNER(S)

Provide the name and address of the designer(s). The name of the employer may be given instead of the designer(s) if, (1) the design was made within the regular scope of employment of the designer(s) and (2) the individual authorship of the design is difficult or impossible to ascribe.

Please check here if those conditions are satisfied and you are providing the employer's name.

Name: Clive Jeffrey Name: \_\_\_\_\_  
Address: Venture Quays, Castle Street Address: \_\_\_\_\_  
East Cowes, Isle of Wight \_\_\_\_\_  
PO32 6EZ, United Kingdom \_\_\_\_\_

**4**  
OWNER,  
IF NOT  
DESIGNER(S)

If the owner is different from the designer(s) or employer named above, provide the name and address of the owner:

Name: South Boats (Holdings) Limited  
Address: Venture Quays, Castle Street  
East Cowes, Isle of Wight  
PO32 6EZ, United Kingdom

**5**  
PRIORITY  
CLAIM

(a) Was an application for registration of this design identified in an application filed in a foreign country that extends to designs of owners who are citizens of the United States, or to persons filing applications in the United States, similar protection to that afforded in 17 USC chapter 13?  
 Yes  No

(b) If yes, identify the country and date of application:  
Country: \_\_\_\_\_  
Date of application: \_\_\_\_\_  
Serial No: \_\_\_\_\_

**6**  
DATE MADE  
PUBLIC

Was this design made public before the date of application?  Yes  No  
If yes, on what date? May 15 2012  
Month Day Year

DO NOT WRITE HERE  
OFFICE USE ONLY

APPLICATION RECEIVED 7/13/2012  
DESIGN COPIES RECEIVED 7/13/2012  
FUNDS RECEIVED 7/13/2012

MORE ON BACK

• Complete all applicable spaces (numbers 7-9) on the reverse side of this page.  
• See detailed instructions. • Sign the form at section 9.

DO NOT WRITE HERE  
Page 1 of pages

EXAMINED BY

JJA

FORM D-VH

CHECKED BY

DWH

CORRESPONDENCE

Yes

FOR  
COPYRIGHT  
OFFICE  
USE  
ONLY

DO NOT WRITE ABOVE THIS LINE. IF YOU NEED MORE SPACE, USE A SEPARATE CONTINUATION SHEET. (Form D-VH/CON)

7 Please provide the name and address of the person to whom correspondence regarding this application may be directed:

CONTACT  
PERSON

Name: Alicia J. Edwards

Address: Gable Gotwals, 100 West 5th Street, 10th Floor

Tulsa, OK 74103-4217

Email address iplaw@gablelaw.com

FAX number 1 918 595 4990

Daytime phone: ( 918 ) 595 4963

8 Give the name and account number if the registration fee is to be charged to a deposit account established in the Copyright Office:

DEPOSIT  
ACCOUNT

Name of Account: \_\_\_\_\_

Account number: \_\_\_\_\_

9 **DECLARATION:** The undersigned, as the applicant or the applicant's duly appointed agent or representative, being hereby warned that willful false statements are punishable by fine or imprisonment, or both, under 18 USC §1001, and that such willful false statements may jeopardize the validity of this application or any resulting registration, hereby declares to the best of his or her knowledge and belief:

CERTIFICATION AND  
SWORN STATEMENTS

(1) that the design has been fixed in a useful article;

(2) that the design is original and was created by the designer(s), or employer if applicable, named in the application;

(3) that those aspects of the design for which registration is sought are not protected by a design patent;

(4) that the design has not previously been registered on behalf of the applicant or applicant's predecessor in title; and

(5) that the applicant is the person entitled to protection and to registration under chapter 13 of title 17, *United States Code*.

Complete if applicable:

The design has been made public with a design notice as prescribed by 17 USC §1306.

Following is the exact form of the design notice:

Where on the useful article is the design notice located?

If the undersigned is not the applicant, he or she is properly authorized to execute this application on behalf of the applicant.

Signature

Alicia J. Edwards

Print or type name

1 918 595 4963

Telephone number

1 918 595 4990

Fax number

Date

June 11, 2012

Attorney for Applicant

Position or title

iplaw@gablelaw.com

Email address

Copyright Office fees are subject to change. For current fees, check the Copyright Office website at [www.copyright.gov](http://www.copyright.gov), write the Copyright Office, or call (202) 707-3000.

Certificate  
will be  
mailed in  
window  
envelope  
to this  
address:

Name ▼

Alicia J. Edwards Gable Gotwals

Number/Street/Apt ▼

100 West 5th Street, 10th Floor

City/State/Zip ▼

Tulsa, OK 74103-4217

**YOU MUST:**

- Complete all necessary spaces
- Sign your application in space 9

**SEND ALL 3 ELEMENTS  
IN THE SAME PACKAGE:**

1. Application form
2. Nonrefundable filing fee in check or money order payable to *Register of Copyrights*
3. Design material

**MAIL TO:**

Dept. D-VH  
Vessel Hull Registration  
PO Box 71380  
Washington, DC 20024-1380

17 USC §1327. Penalty for false representation. "Whoever knowingly makes a false representation materially affecting the rights obtainable under this chapter for the purpose of obtaining registration of a design under this chapter shall pay a penalty of not less than \$500 and not more than \$1,000, and any rights or privileges that individual may have in the design under this chapter shall be forfeited."

Library of Congress  
Received

JUL 13 2012

U.S. Copyright Office

DVH 0524

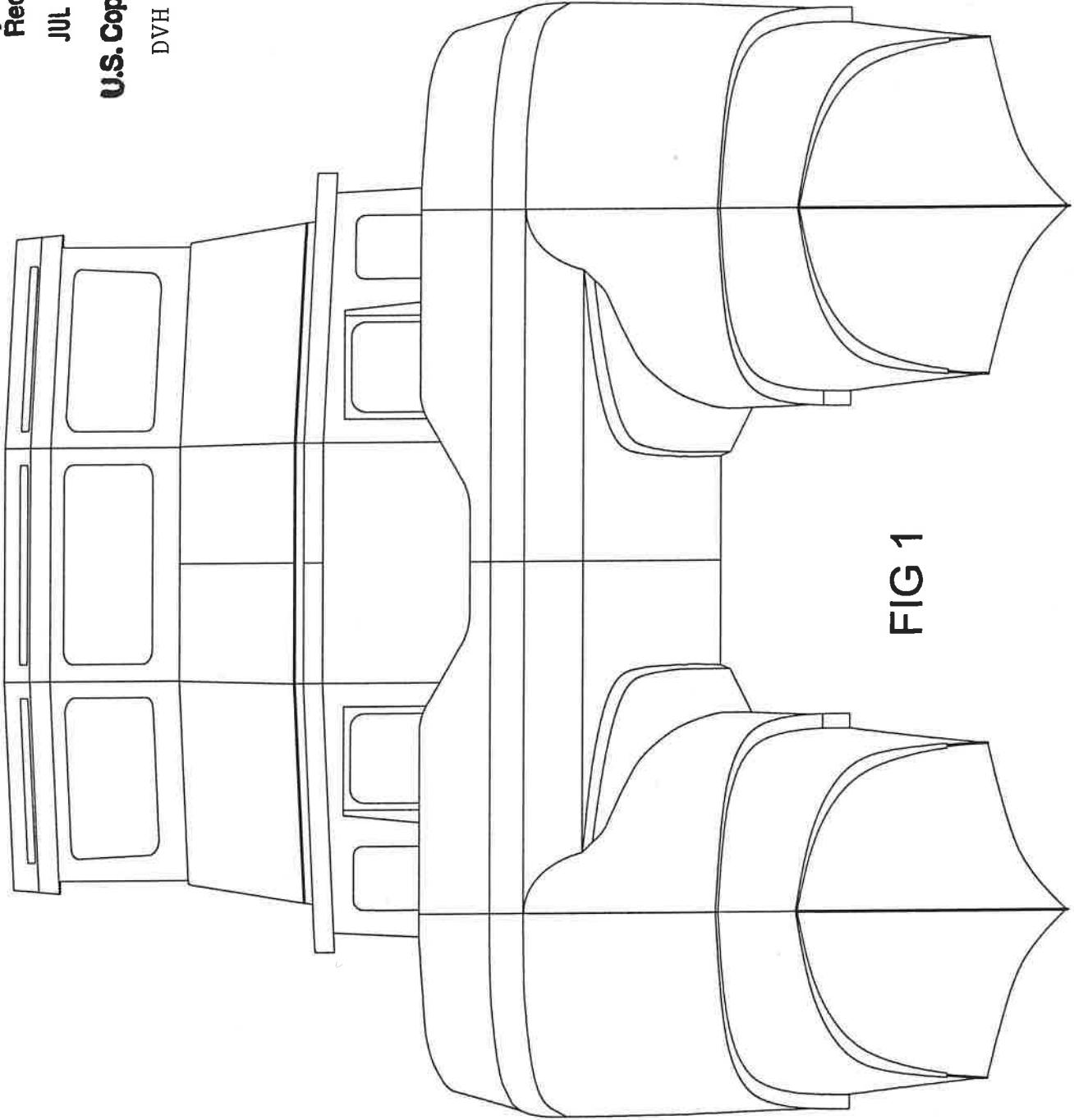


FIG 1

Library of Congress  
Received

JUL 13 2012

U.S. Copyright Office

DVH 0424

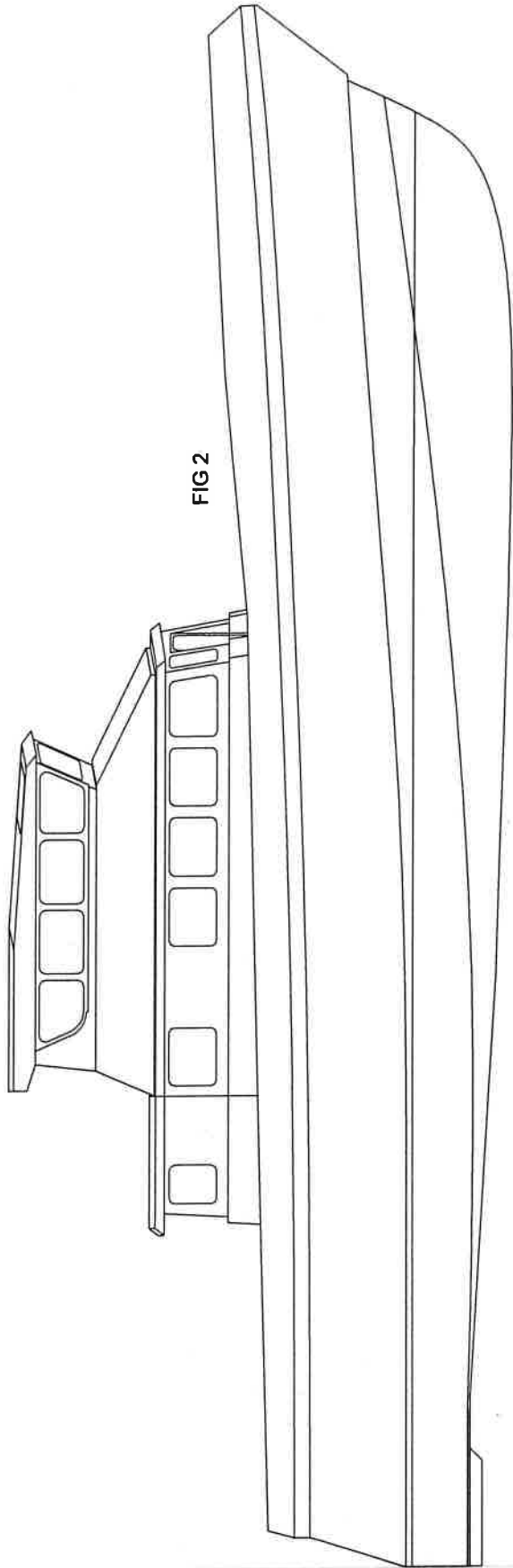


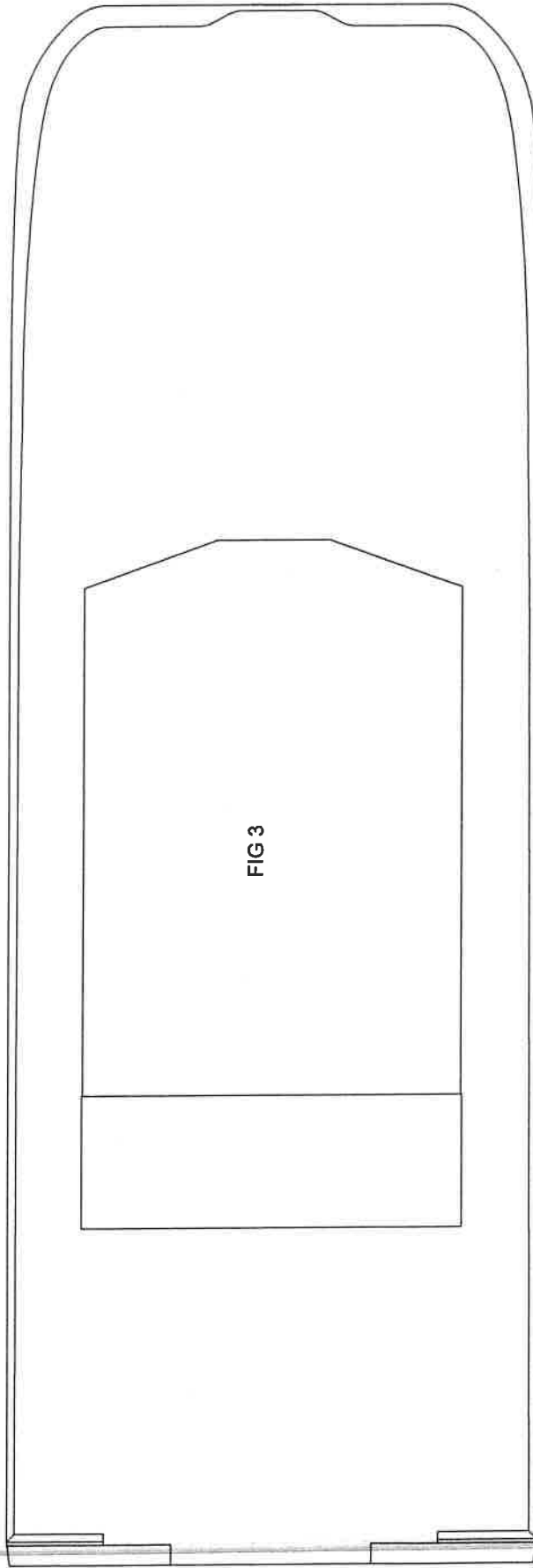
FIG 2

Library of Congress  
Received

JUL 13 2012

U.S. Copyright Office

DVH 0524



Library of Congress  
Received

JUL 13 2012

U.S. Copyright Office

DVH 0524

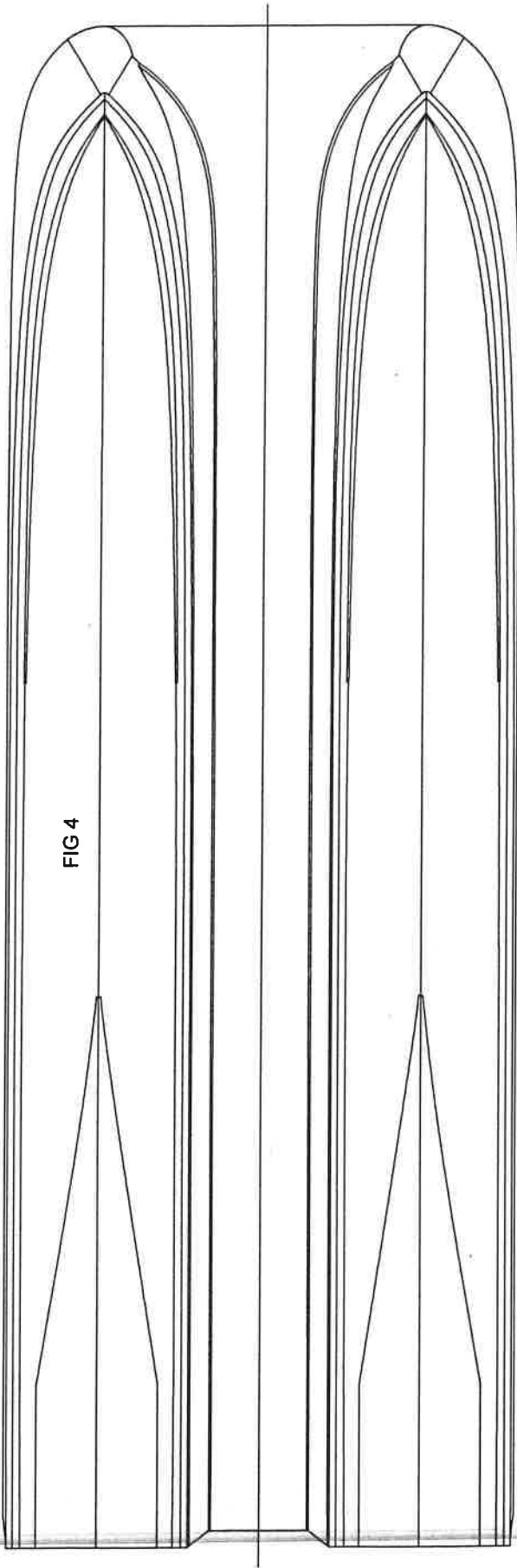


FIG 4

Library of Congress  
Received

JUL 13 2012

U.S. Copyright Office

DVH 0524

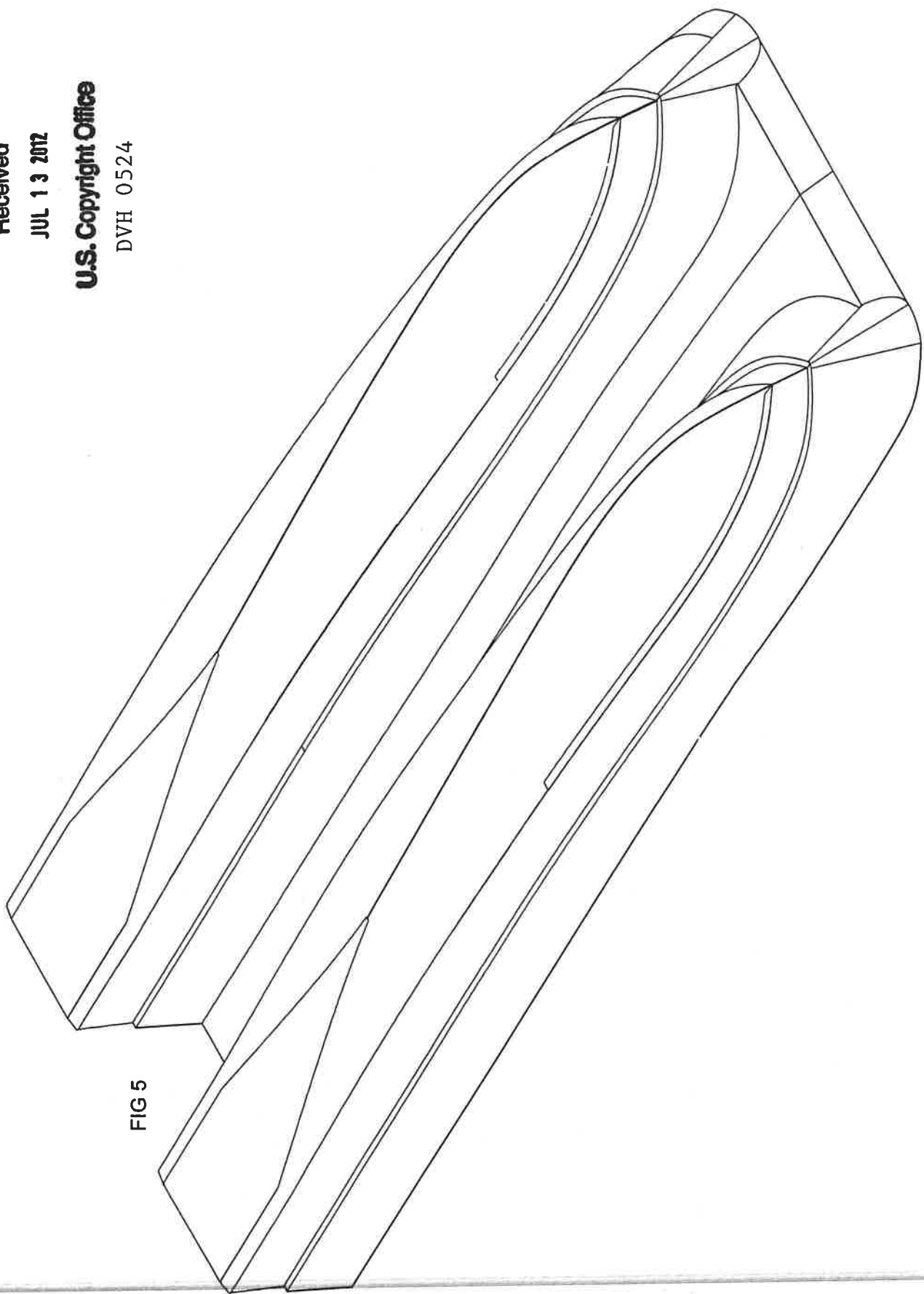


FIG 5

Library of Congress  
Received

JUL 13 2012

U.S. Copyright Office

DVH 0524

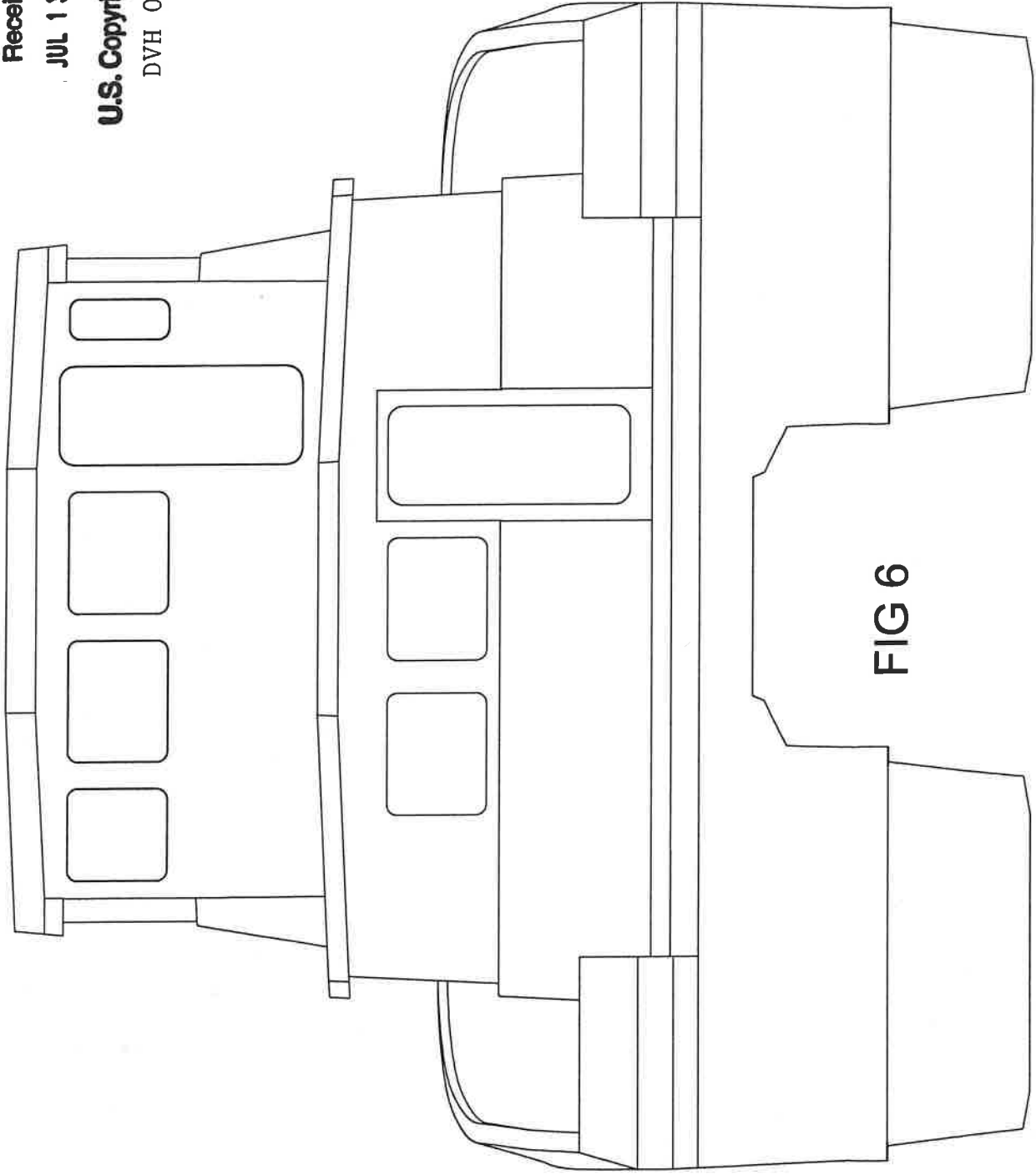


FIG 6